

# ***Comfort First Products - IDM, Inc.***

1809 Carnegie Avenue • Santa Ana, CA 92705 • Phone: (714) 550-4971 • FAX: (714) 550-4973

Email: sales@ComfortFirstProducts.com \* Website: www.ComfortFirstProducts.com

## ***Control-A-Flow***<sup>®</sup>

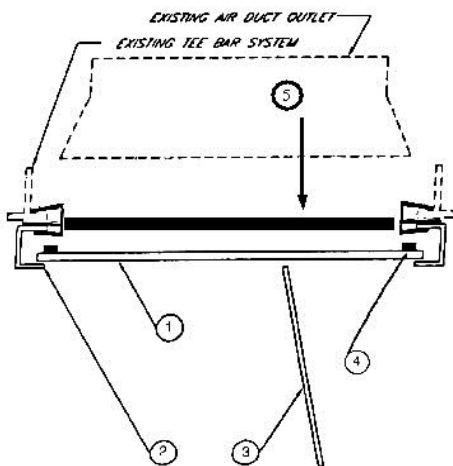
Draft Eliminator with Anti-microbial Filter

### **Installation Instructions**

- 1) Use a stable ladder to stand on for the simple installation.
- 2) Determine which direction you want the panels to open and close.
- 3) While holding the rail at an angle next to the T-Bar, fit the corner of the clip onto the T-bar lip. Next, push the rest of the clip and rail onto the T-bar. Repeat for the second rail.
- 4) The filter fits into the brackets just below the top of the clips. The frame is pliable, so bend the frame over your knee or chest, putting a 1/2" to 3/4" bow in the center of the frame. (The top of the bow will be facing the ceiling.) Place one filter into the filter bracket of one rail, the filter should line up with the outside edge of the T-bar. On the opposite side use your fingers to flex the wire filter frame towards the floor and other rail simultaneously, allowing the filter to clear the bottom of the rail and fit into the opposite bracket. Repeat for second filter. Push the two filters together so they are centered to the diffuser, with the outside edges resting on the T-Bar. **IMPORTANT:** The filter frame should snugly fit against the T-bar and little or no air should be passing between the diffuser and the filter, ensuring filter efficiency. Run your fingers along the diffuser and filter to feel if air is flowing between them. You may need to increase the "bow" in the middle if this is not achieved the first time.
- 5) Each panel needs 2 self-adhesive silicone pads (enclosed) placed on the non-printed side at the very end of the panel, directly over the metal rod inside the panel.
- 6) With the pads facing up, put 1 panel into a rail slot, close to the end of a rail. Flex the opposite rail outwardly and fit the panel stop past the rail stop. Slide this panel to the other end and repeat. Push the two rails toward each other to set all the parts with each other.
- 7) By using the "Adjusting Wand" you can now safely adjust your *Control-A-Flow*<sup>®</sup> panels and rail cover plates to create air flow in 2, 3, 4 or 5 directions, while safely standing on the floor.

### **Hard Ceiling Installation**

- 1) Drill a 1/8" hole, 3" to 4" from the end of each rail but not through the clip.
- 2) Use 3/4" to 1" sheet rock screws to secure into ceiling.
- 3) Use a panel to measure the distance between the rails, then secure the second rail.
- 4) Double stick carpet tape can also be used instead of screws. A 16" long strip along the clip of both rails and a 3" strip on the rail ends should be sufficient. Now start at step #4 above.



#### **Parts List**

- 1) 2 each translucent panels – 12" x 24.25"
- 2) 2 each 32" rails with clips, stops and cover plates attached
- 3) 1 each "Adjusting Wand"
- 4) 4 each self-adhesive panel stop pads
- 5) 2 each 12" x 24" filters, wire frames & sealed

**Rail Color – Soft White**